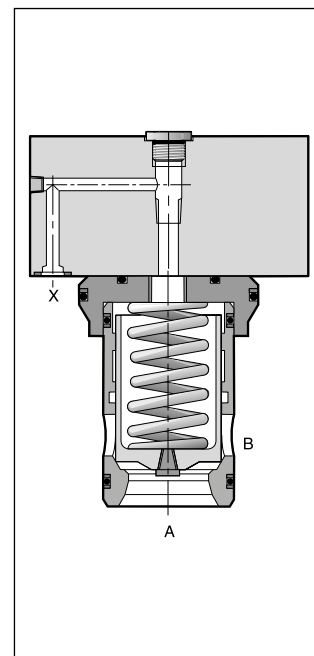
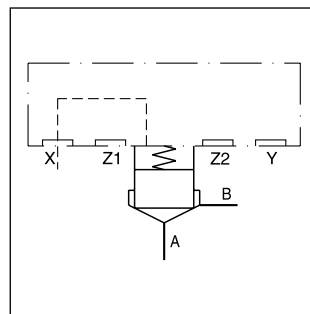
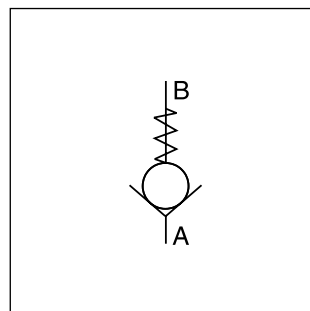


Characteristics / Ordering Code

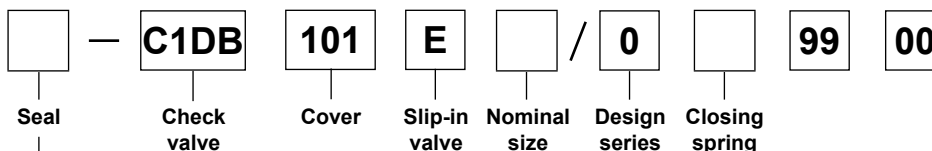
Check valves of the series C1DB consist of a slip-in valve, that is designed for a compact manifold block installation.

Features

- Cavity and mounting pattern according to ISO 7368
- 4 different springs
- 8 sizes NG16 to NG100



Ordering code



Code	Seal
omit	<b>NBR</b>
V	FPM

Code	Nominal size
<b>16</b>	<b>NG16</b>
<b>25</b>	<b>NG25</b>
<b>32</b>	<b>NG32</b>
<b>40</b>	<b>NG40</b>
<b>50</b>	<b>NG50</b>
<b>63</b>	<b>NG63</b>
80	NG80
100	NG100

Code	Spring
L	0.1 bar
N	0.5 bar
<b>S</b>	<b>1.6 bar</b>
T	2.5 bar
U	4.0 bar

**Bold letters =**  
Short-term availability

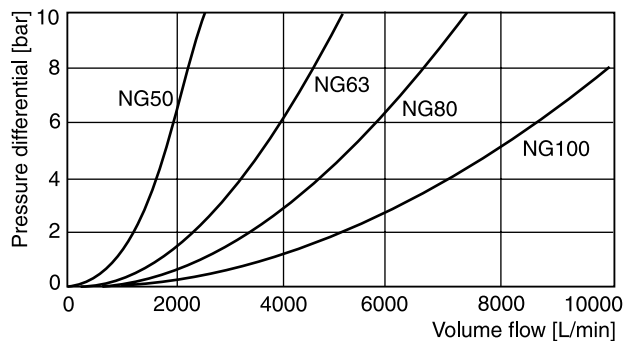
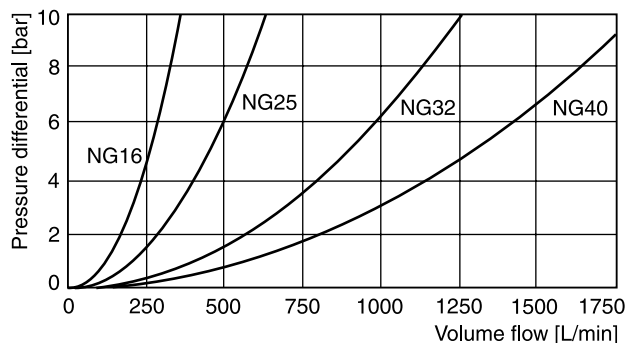
Replacement springs see spare and mounting parts

Technical data

General	
Design	2-way cartridge valve, according to ISO 7368
Nominal size	<b>NG16</b>   <b>NG25</b>   <b>NG32</b>   <b>NG40</b>   <b>NG50</b>   <b>NG63</b>   <b>NG80</b>   <b>NG100</b>
Actuation	hydraulic
Mounting position	unrestricted
Ambient temperature [°C]	-20 ... +60
MTTF <sub>D</sub> value [years]	150
Weight [kg]	1.2   2.5   3.9   7   11.4   21.8   45   74
Hydraulics	
Flow direction	See symbols
Fluid	Hydraulic oil according to DIN 51524
Fluid temperature [°C]	-20...+70 (NBR: -25...+70)
Viscosity, permitted [cSt] / [mm <sup>2</sup> /s]	20...400
Viscosity, recommended [cSt] / [mm <sup>2</sup> /s]	30...80
Filtration	ISO 4406 (1999); 18/16/13
Nominal pressure [bar]	350
Flow [l/min]	250   450   900   1300   1800   3600   5250   8000
Opening pressure, spring [bar]	L = 0.1; N = 0.5; S = 1.6; T = 2.5; U = 4.0

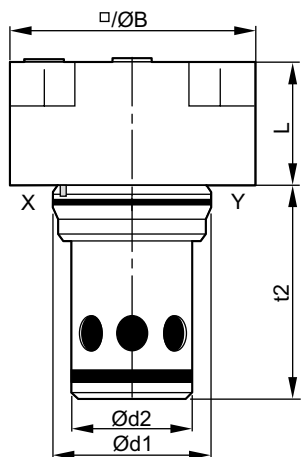


**Performance curves**



All characteristic curves measured with HLP46 at 50 °C.

**Dimensions**



NG	L	B	d1	d2	t2
16	36	65	32	25	56
25	45	85	45	34	72
32	50	102	60	45	85
40	60	125	75	55	105
50	70	140	90	68	122
63	85	180	120	90	155
80	105	∅ 250	145	110	205
100	120	∅ 300	180	135	245

8

NG	Kit	ISO 4762-12.9	[Nm]	Kit		Orifice thread
				NBR	FPM	
16	BK441	4x M8x50	31.8	SK-CBE160	SK-CBE160V	1/16 NPT
25	BK391	4x M12x50	108	SK-CBE250	SK-CBE250V	1/16 NPT
32	BK415	4x M16x55	264	SK-CBE320	SK-CBE320V	1/16 NPT
40	BK416	4x M20x70	517	SK-CBE400	SK-CBE400V	1/8 NPT
50	BK417	4x M20x75	517	SK-CBE500	SK-CBE500V	1/8 NPT
63	BK418	4x M30x100	1775	SK-CBE630	SK-CBE630V	1/8 NPT
80	BK419	8x M24x120	890	SK-CBE800	SK-CBE800V	1/8 NPT
100	BK420	8x M30x140	1775	SK-CBE1000	SK-CBE1000V	1/8 NPT